

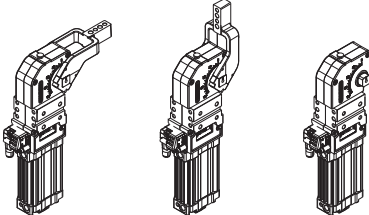
# UBP50

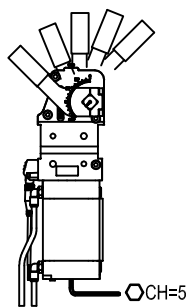
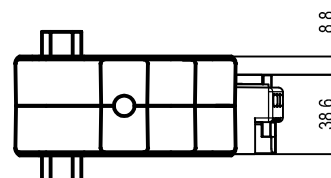
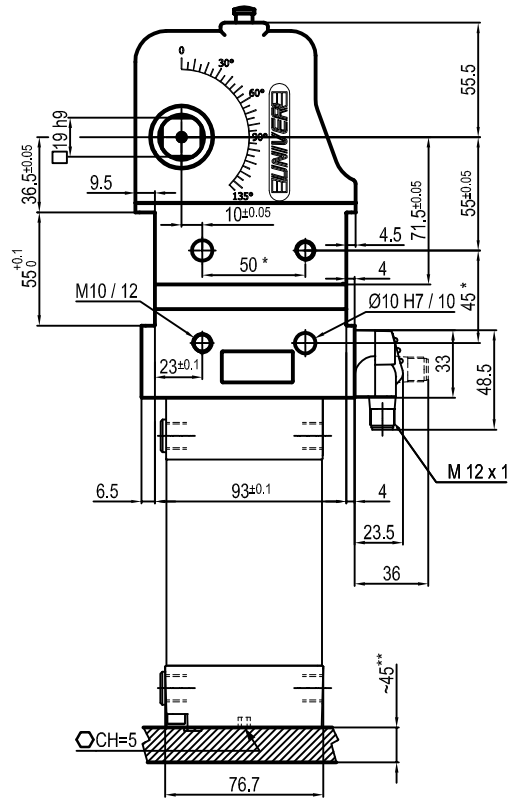
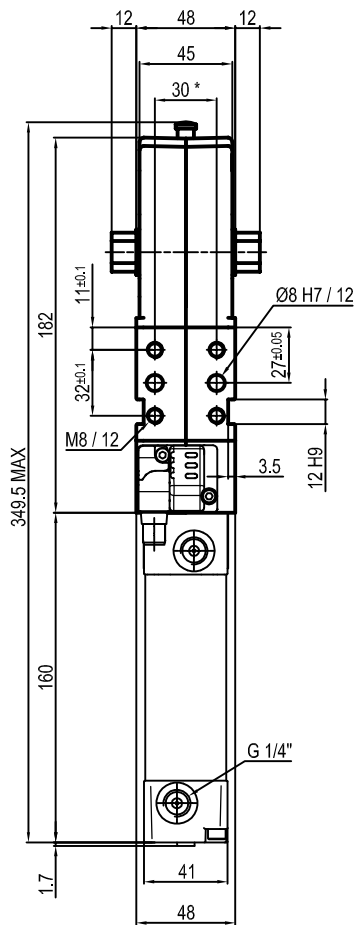
UNIVERSAL Power clamps



U	B	P	5	0	N	N	E
1	2	3	4	5	6		

<b>1 Series</b> <b>UB = UNIVERSAL</b> Power clamps fully adjustable opening angle: <b>0° to 135° Max</b> The opening angle range may vary according to the arm position and style	<b>2 Version</b> <b>P = Pneumatic-standard</b>	<b>3 Size</b> <b>50 = Ø 50 mm</b>
--	---	--------------------------------------

<b>4 Arm position</b> <b>V = 90°</b> <b>O = 180°</b> <b>N = No arm</b> 	<b>5 Arm style</b> <b>C = Central , 15 mm offset</b> <b>D = Right, 15 mm offset</b> <b>S = Left, 15 mm offset</b> <b>E = Central, 45mm offset</b> <b>F = Right, 45mm offset</b> <b>L = Left, 45mm offset</b> <b>N = No arm</b> <b>X = Central, oversized dowel holes Ø 8 H7, 15 mm offset</b> <b>Y = Right, oversized dowel holes Ø 8 H7, 15 mm offset</b> <b>Z = Left, oversized dowel holes Ø 8 H7, 15 mm offset</b> <b>T = Central, oversized dowel holes Ø 8 H7, 45 mm offset</b> <b>U = Right, oversized dowel holes Ø 8 H7, 45 mm offset</b> <b>V = Left, oversized dowel holes Ø 8 H7, 45 mm offset</b>	<b>6 Sensor</b> <b>N = No sensor</b> (with protection plate) <b>E = Electronic sensor with M12</b> swivel connector <b>D = Pneumatic sensor</b>
--	---	--



Bore Ø	Holding moment	Clamping moment	Weight (Clamping arm not included)
50 mm	1250 Nm	280 Nm	2.7 Kg

Min./Max. operating pressure: **0,4 / 0,6 MPa**

Operating temperature: **5° + 45° C**

Opening angle: **adjustable**

Without arm

Electronic sensor with M12 swivel connector that can be orientated at 0° or 90°

Supply voltage: 10±30 Vdc

IP code: **IP 65**

Pneumatic ports on both sides

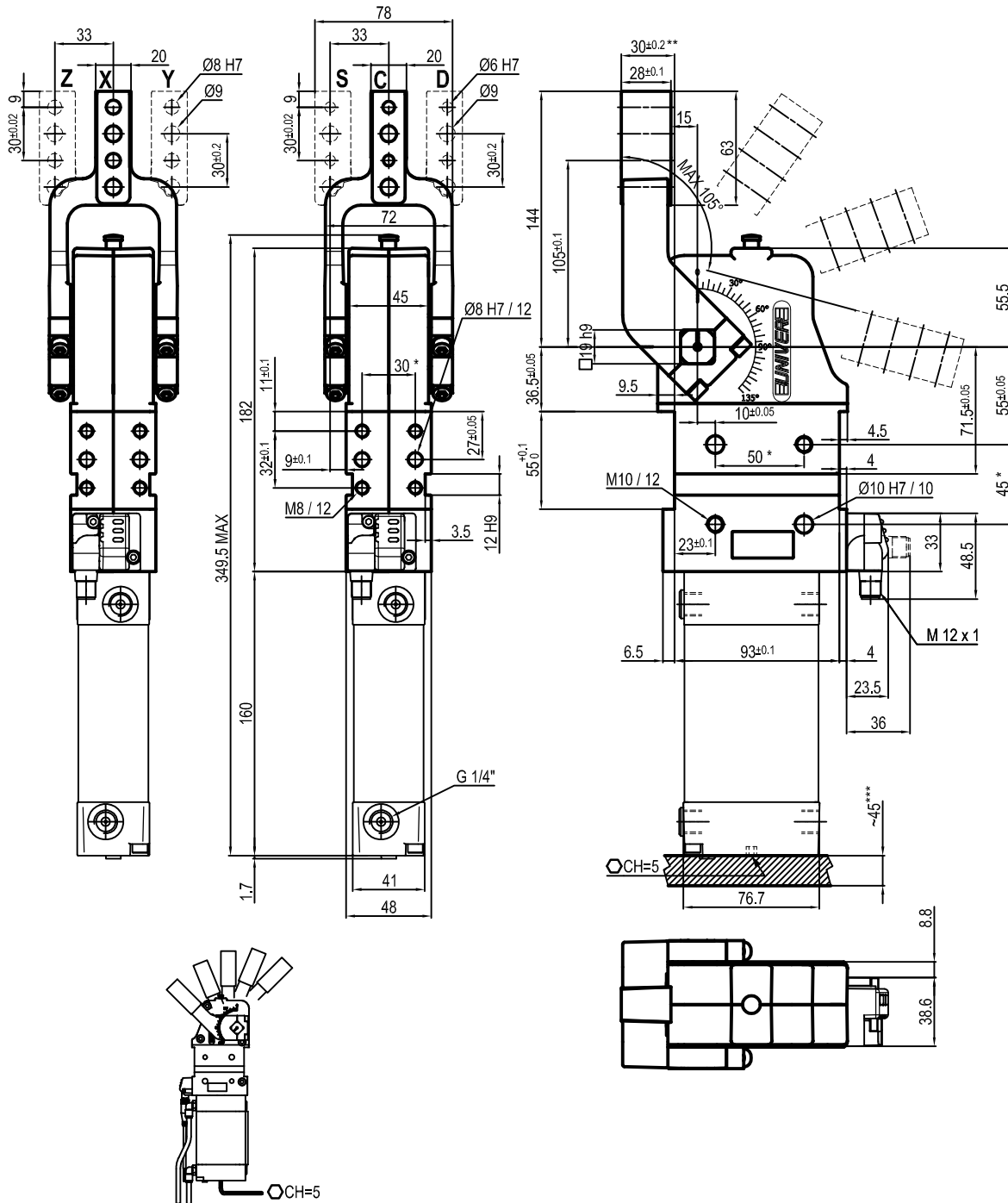
\* : TOLERANCE BETWEEN DOWELS ± 0.02, TO SCREW HOLES ± 0.1

\*\* : AREA TO ACCES ANGLE ADJUSTMENT

Subject to technical modifications without notice

## UNIVERSAL Pneumatic clamp

Oversize  
Ø8 H7



Bore Ø	Holding moment	Clamping moment	Weight (Clamping arm not included)
50 mm	1250 Nm	280 Nm	2.7 Kg

Min./Max. operating pressure: **0,4 / 0,6 MPa**

Operating temperature: **5° + 45° C**

Opening angle: **adjustable from 0° to 105°**

Horizontal arm mount position

Electronic sensor with M12 swivel connector that can be orientated at 0° or 90°

Supply voltage: 10÷30 Vdc

IP code: **IP 65**

Pneumatic ports on both sides

\* : TOLERANCE BETWEEN DOWELS ± 0.02, TO SCREW HOLES ± 0.1

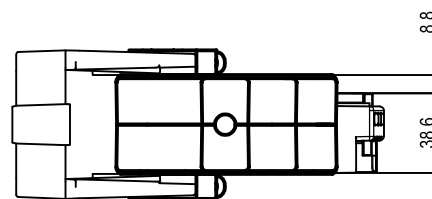
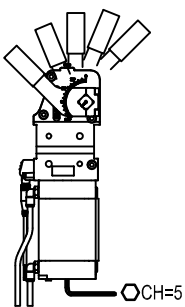
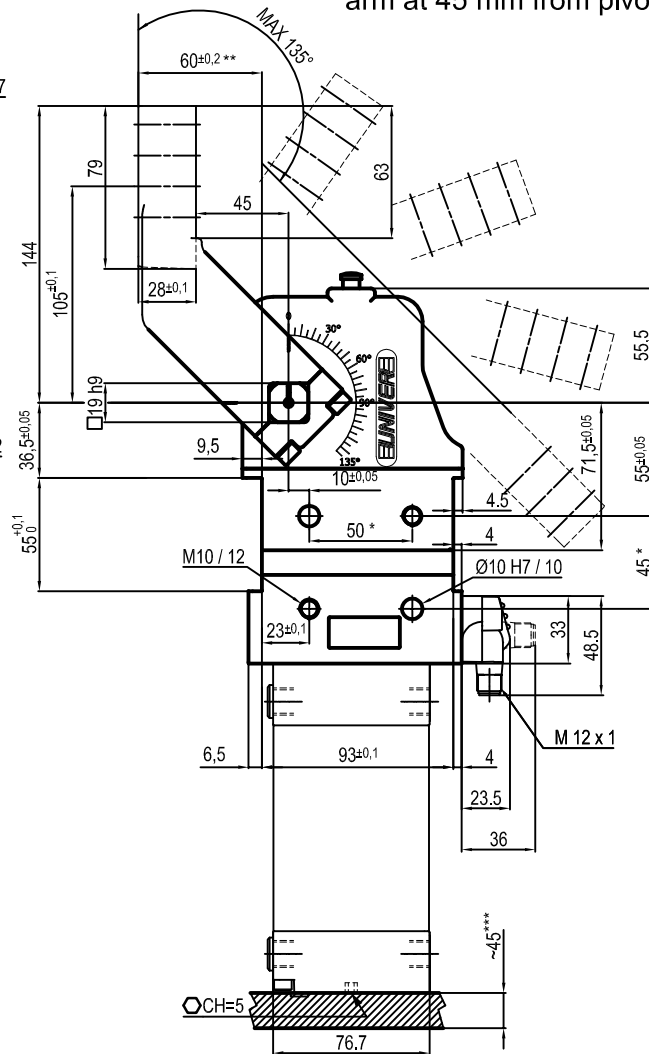
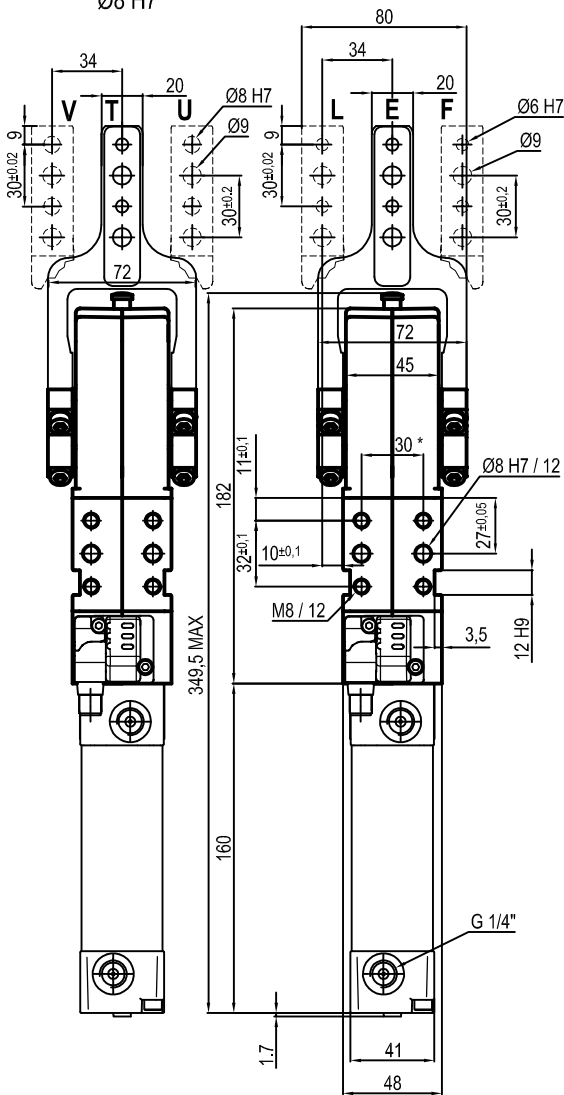
\*\* : TOLERANCE AT 80 mm FROM PIVOT POINT

\*\*\* : AREA TO ACCES ANGLE ADJUSTMENT

Subject to technical modifications without notice

Ower size dowel holes  
Ø8 H7

**UNIVERSAL** Pneumatic clamp  
arm at 45 mm from pivot point



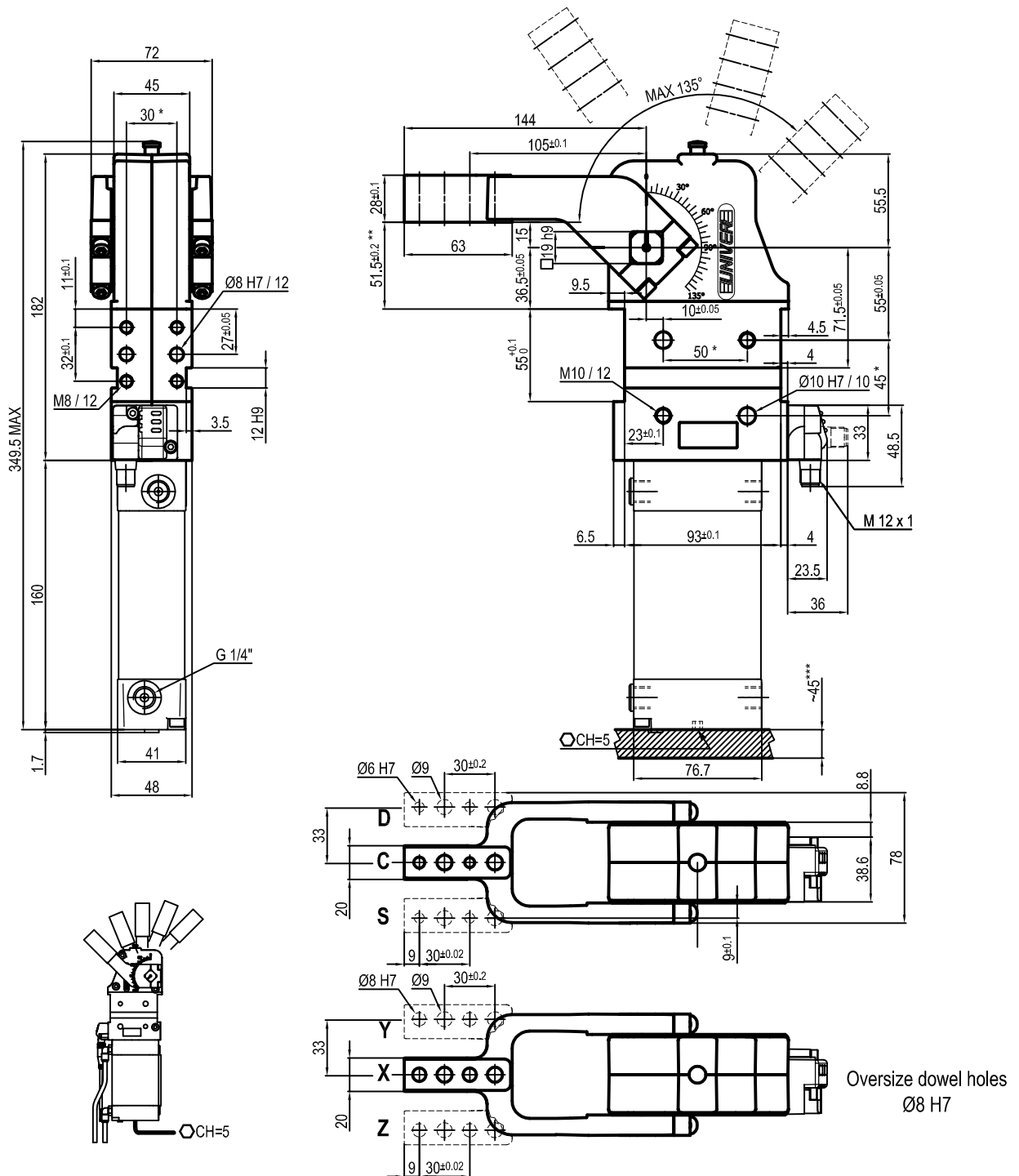
Bore Ø	Holding moment	Clamping moment	Weight (Clamping arm not included)
50 mm	1250 Nm	280 Nm	2.7 Kg

Min./Max. operating pressure: **0,4 / 0,6 MPa**  
 Operating temperature: **5° + 45° C**  
 Opening angle: **adjustable from 0° to 135°**  
 Horizontal arm mount position  
 Electronic sensor with M12 swivel connector that can be orientated at 0° or 90°  
 Supply voltage: 10÷30 Vdc  
 IP code: **IP 65**  
 Pneumatic ports on both sides

\* : TOLERANCE BETWEEN DOWELS ± 0.02, TO SCREW HOLES ± 0.1  
 \*\* : TOLERANCE AT 80 mm FROM PIVOT POINT  
 \*\*\* : AREA TO ACCES ANGLE ADJUSTMENT

Subject to technical modifications without notice

## UNIVERSAL Pneumatic clamp



Bore Ø	Holding moment	Clamping moment	Weight (Clamping arm not included)
50 mm	1250 Nm	280 Nm	2.7 Kg

Min./Max. operating pressure: **0,4 / 0,6 MPa**

Operating temperature: **5° + 45° C**

Opening angle: **adjustable from 0° to 135°**

Vertical arm mount position

Electronic sensor with M12 swivel connector that can be orientated at 0° or 90°

Supply voltage: 10÷30 Vdc

IP code: **IP 65**

Pneumatic ports on both sides

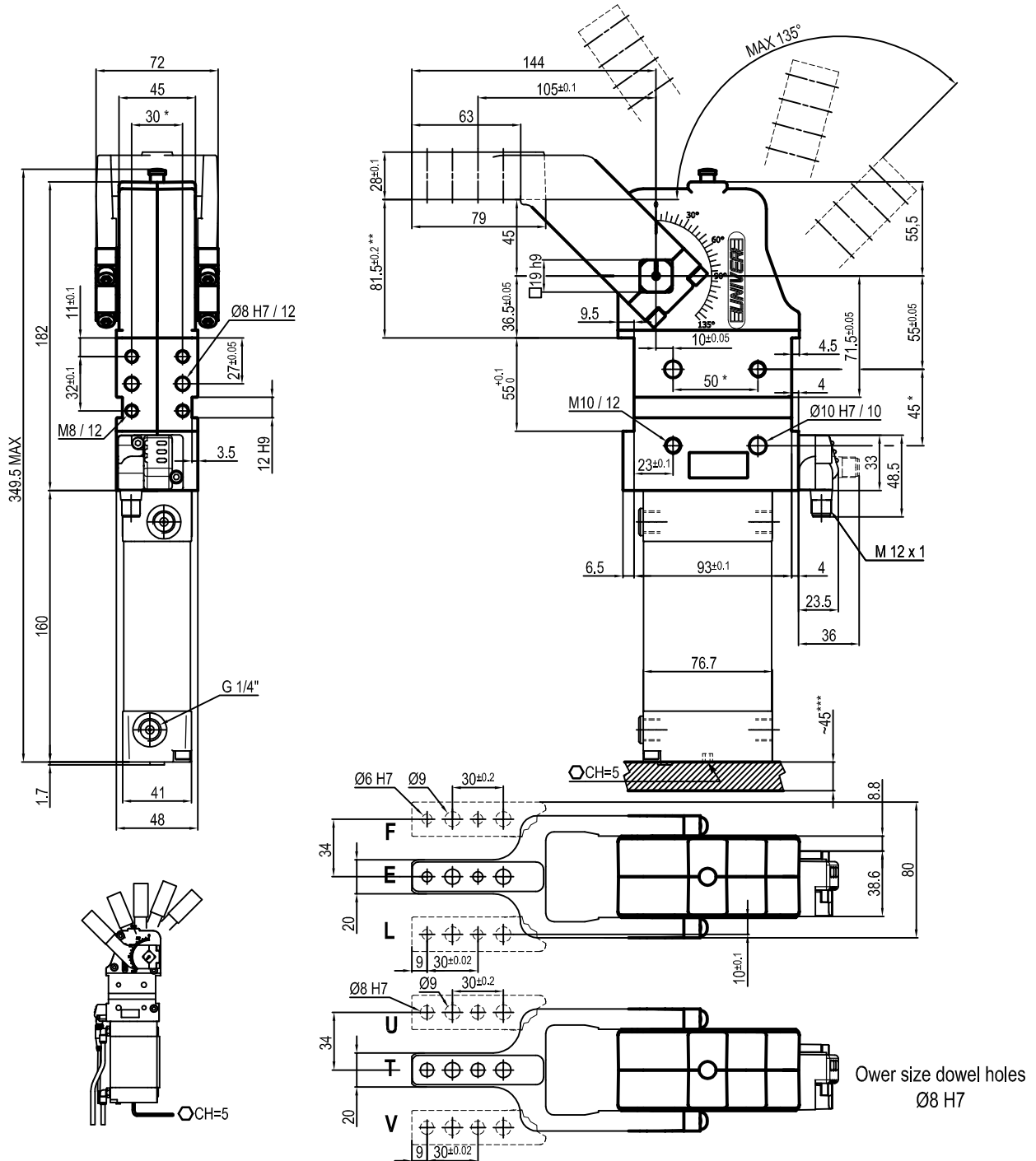
\* : TOLERANCE BETWEEN DOWELS ± 0.02, TO SCREW HOLES ± 0.1

\*\* : TOLERANCE AT 80 mm FROM PIVOT POINT

\*\*\* : AREA TO ACCESS ANGLE ADJUSTMENT

Subject to technical modifications without notice

## UNIVERSAL Pneumatic clamp arm at 45 mm from pivot point



Bore Ø	Holding moment	Clamping moment	Weight (Clamping arm not included)
50 mm	1250 Nm	280 Nm	2.7 Kg

Min./Max. operating pressure: **0,4 / 0,6 MPa**  
 Operating temperature: **5° + 45° C**  
 Opening angle: **adjustable from 0° to 135°**  
 Vertical arm mount position  
 Electronic sensor with M12 swivel connector that can be orientated at 0° or 90°  
 Supply voltage: 10÷30 Vdc  
 IP code: **IP 65**  
 Pneumatic ports on both sides

\* : TOLERANCE BETWEEN DOWELS ± 0.02, TO SCREW HOLES ± 0.1  
 \*\* : TOLERANCE AT 80 mm FROM PIVOT POINT  
 \*\*\* : AREA TO ACCES ANGLE ADJUSTMENT

Subject to technical modifications without notice