

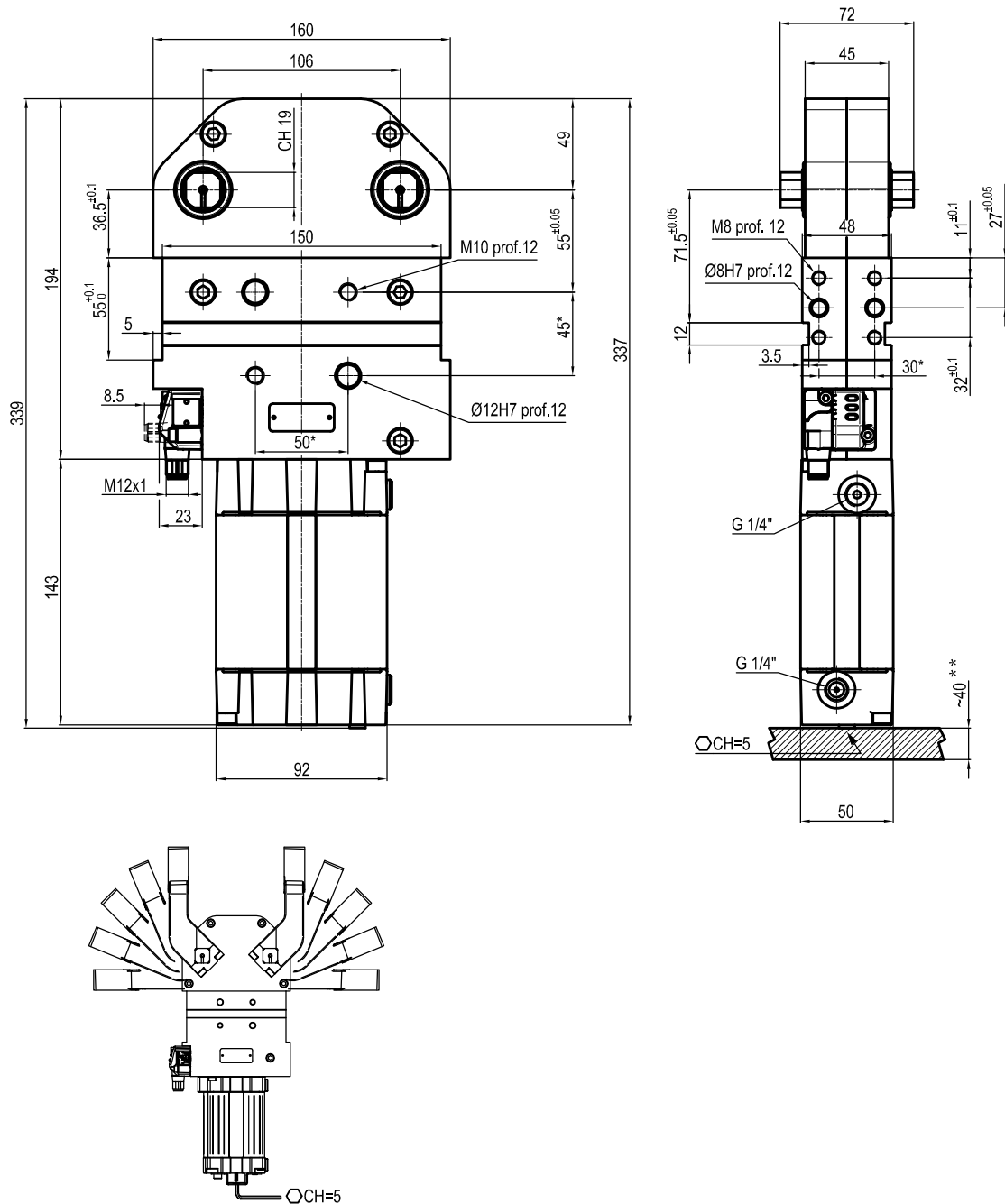
# UDP63

UNIVERSAL Power Clamps with double arm



U	D	P	6	3	D	E	E
1	2	3	4	5	6		

1 Series	2 Version	3 Size
<p><b>UD</b> = UNIVERSAL Power Clamps double arm fully adjustable opening angle: <b>0° to 180° Max</b> The opening angle range may vary according to the arm position and style</p>	<p><b>P</b> = Pneumatic-standard</p>	<p><b>63</b> = Ø 63 mm</p>
4 Arm characteristics	5 Arm style	6 Sensor
<p><b>D</b> = Double arm</p>	<p><b>C</b> = Central , 15 mm offset <b>D</b> = Right, 15 mm offset <b>S</b> = Left, 15 mm offset <b>E</b> = Central, 45 mm offset <b>F</b> = Right, 45 mm offset <b>L</b> = Left, 45 mm offset <b>N</b> = No arm</p>	<p><b>N</b> = No sensor (with protection plate) <b>E</b> = Electronic sensor with M12 swivel connector</p>



Bore Ø	Clamping moment	Weight ( clamping arms not included)
63 mm	130 Nm	4,6 Kg

Min./Max. operating pressure: **0,4 / 0,6 MPa**

Operating temperature: **5° + 45° C**

Opening angle: **adjustable**

Without arm

Electronic sensor with M12 swivel connector that can be orientated at 0° or 90°

Supply voltage: 10-30 Vdc

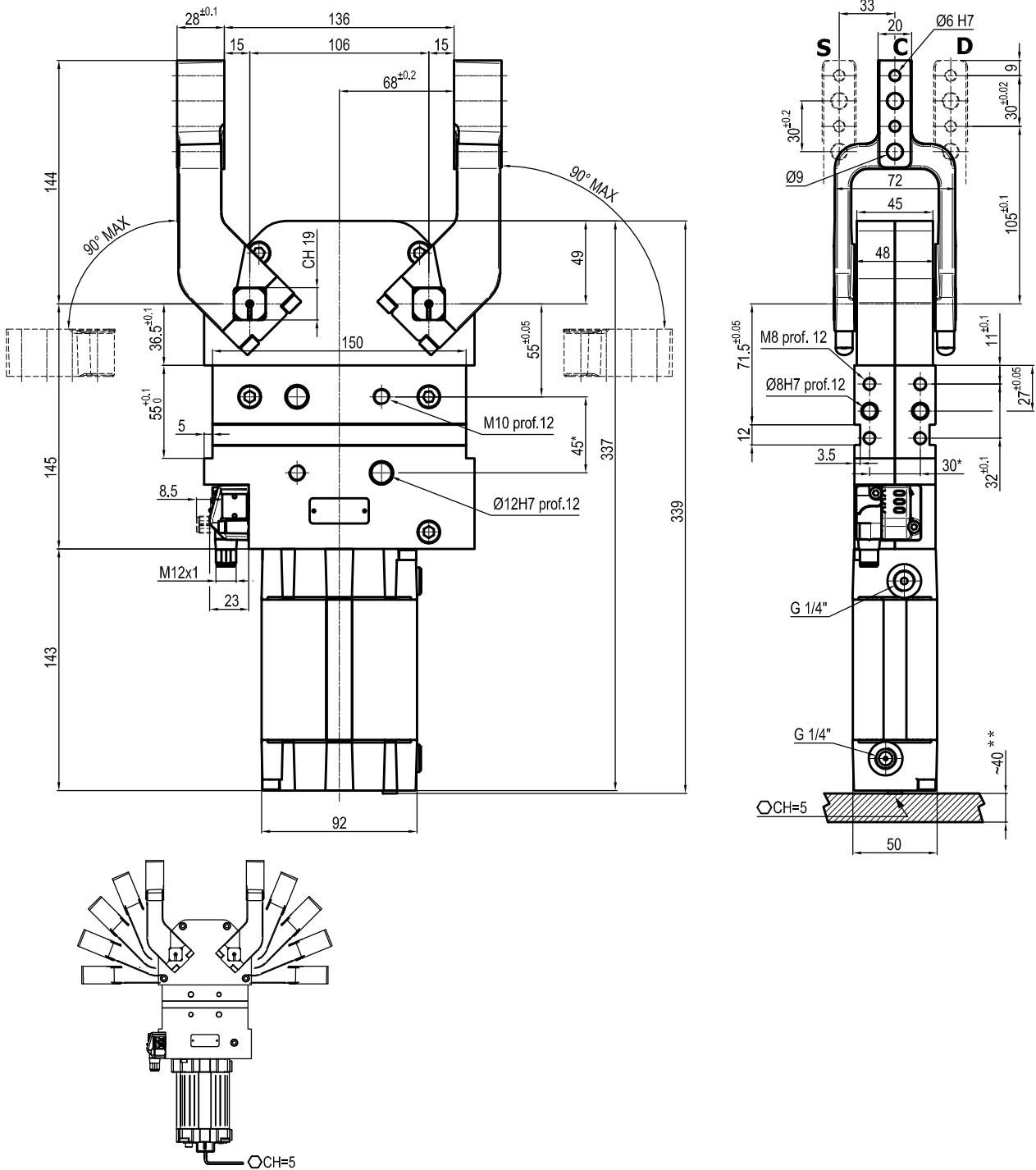
IP code: **IP 65**

Pneumatic ports on both sides

\* : TOLERANCE BETWEEN DOWEL HOLES ± 0.02, TO SCREW HOLES ± 0.1

\*\* : AREA TO ACCESS ANGLE ADJUSTMENT

Subject to technical modification without notice.



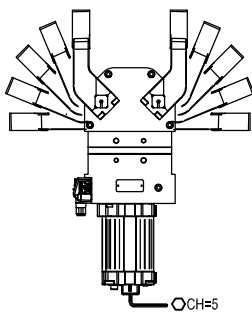
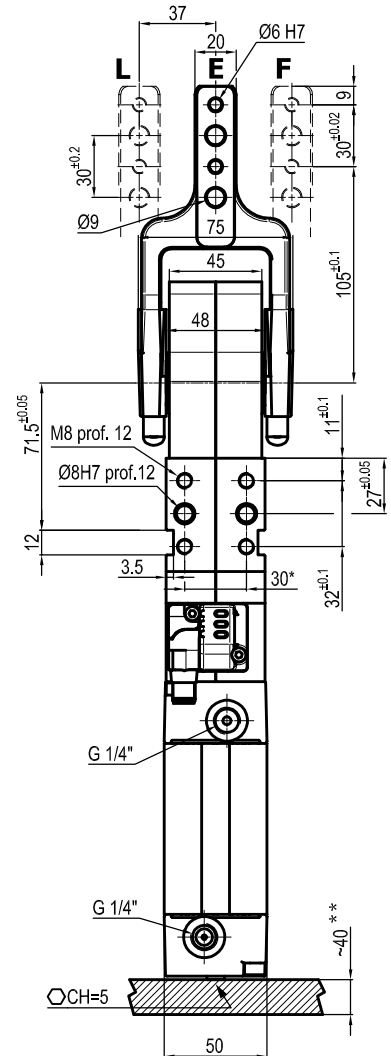
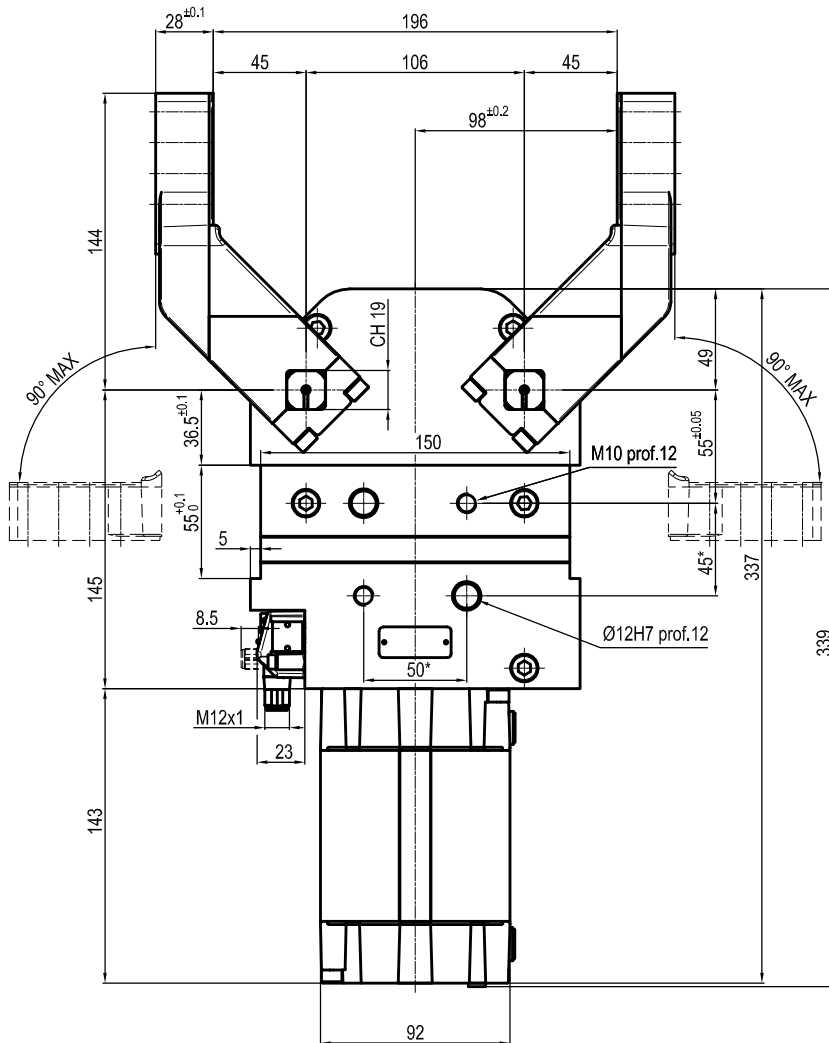
Bore Ø	Clamping moment	Weight (clamping arms not included)
63 mm	130 Nm	4,6 Kg

Min./Max. operating pressure: **0,4 / 0,6 MPa**  
 Operating temperature: **5° + 45° C**  
 Opening angle: **adjustable from 0° to 90°**  
 Electronic sensor with M12 swivel connector that can be orientated at 0° or 90°  
 Supply voltage: 10+30 Vdc  
 IP code: **IP 65**  
 Pneumatic ports on both sides

\* : TOLERANCE BETWEEN DOWEL HOLES ± 0.02, TO SCREW HOLES ± 0.1  
 \*\* : AREA TO ACCESS ANGLE ADJUSTMENT

Subject to technical modification without notice.

## UNIVERSAL Pneumatic clamp arms at 45 mm from pivot point



Bore Ø	Clamping moment	Weight ( clamping arms not included)
63 mm	130 Nm	4,6 Kg

Min./Max. operating pressure: **0,4 / 0,6 MPa**  
 Operating temperature: **5° + 45° C**  
 Opening angle: **adjustable from 0° to 90°**  
 Electronic sensor with M12 swivel connector that can be orientated at 0° or 90°  
 Supply voltage: 10+30 Vdc  
 IP code: **IP 65**  
 Pneumatic ports on both sides

\* : TOLERANCE BETWEEN DOWEL HOLES  $\pm 0.02$ , TO SCREW HOLES  $\pm 0.1$   
 \*\* : AREA TO ACCESS ANGLE ADJUSTMENT

Subject to technical modification without notice.