

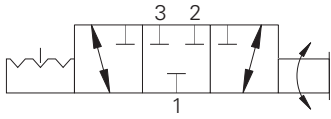
MRV3-10 - Manual Rotary Valve

Manual semi-rotary directional control valve

23 L/min (6 USgpm) • 210 bar (3000 psi)

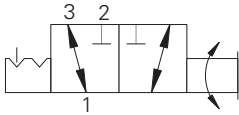
MRV3-10(V)-D/E

3 position models

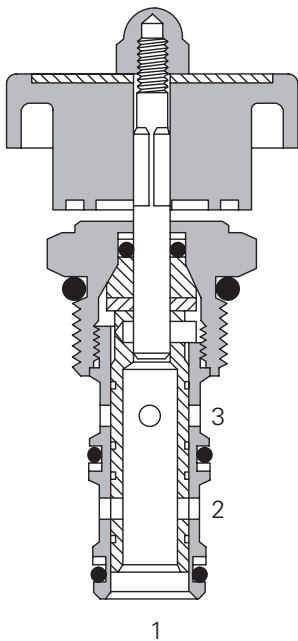


MRV3-10(V)-D2/E2

2 position models



Sectional View



Description

This is a 3 way 2 or 3 position manual semi-rotary directional control valve. Can be used as a diverter or a dump valve

Operation

This valve will direct flow between ports 1 and 3 and block port 2 in one position.

By turning the operator 90°, flow will be directed between ports 1 and 2 and port 3 will be blocked. During cross-over transition, all ports are blocked.

Features

Hardened, ground and honed working parts to limit leakage and prolong life. Various levers and knobs available with and without detent.

Performance Data

Ratings and Specifications

Performance data is typical with fluid at 21,8 cSt (105 SUS) and 49°C (120°F)

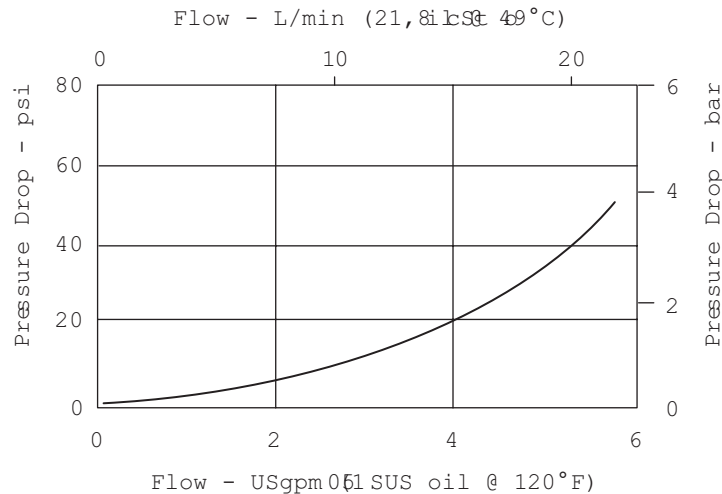
Typical application pressure (all ports)	210 bar (3000 psi)
Cartridge fatigue pressure (infinite life)	210 bar (3000 psi)
Rated flow	23 L/min (6 US gpm)
Temperature range	-40°C to 120°C (-40° to 248°F)
Manual operators	D - Lever (3-position detent)* D2 - Lever (2-position detent)* E - Ball (3-position detent)* E2 - Ball (2-position detent)* K - Knob (2-position, no detent)
Cavity	C-10-3
Fluids	All general purpose hydraulic fluids such as: MIL-H-5606, SAE 10, SAE 20 etc.
Filtration	Cleanliness code 18/16/13
Standard housing material	Aluminum or Steel
Weight cartridge only	0,22 kg (0.4 lbs)
Seal kit	565804 (Buna-N), 889599 (Viton)

* Light duty housing only.

Viton is a registered trademark of E.I. DuPont

Pressure Drop Curves

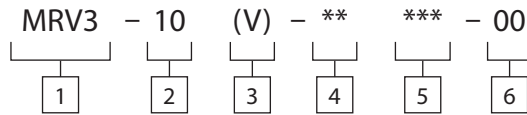
Cartridge only



MRV3-10 - Manual Rotary Valve

Manual semi-rotary directional control valve
23 L/min (6 USgpm) • 210 bar (3000 psi)

Model Code



1 Function
MRV3 - Manual rotary valve 4-way

2 Size
10 - 10 size

3 Seal Material
Blank - Buna-N
V - Viton

4 Manual Operator
O - No operator
D - Level (3-position detent)
D2 - Level (2-position detent)
E - Ball (3-position detent)
E2 - Ball (2-position detent)
K - Knob (2-position, no detent)

5 Port Size

Code	Port Size	Housing Number	
		Aluminum Fatigue Rated	Steel
0	Cartridge		
A3B	3/8" BSPP	02-173358*	
A6T	SAE 6	5566162*	
A2G	1/4" BSPP	876705	
A3G	3/8" BSPP	876714	
A6H	SAE 6	876704	
A8H	SAE 8	876711	
S2G	1/4" BSPP		02-175127
S3G	3/8" SAE		02-175128
S6T	SAE 6		02-175124
S8T	SAE 8		02-175125

See section J for housing details.
* Aluminum light duty.

6 Special Features

00 - None
(Only required if valve has special features, omitted if "00")

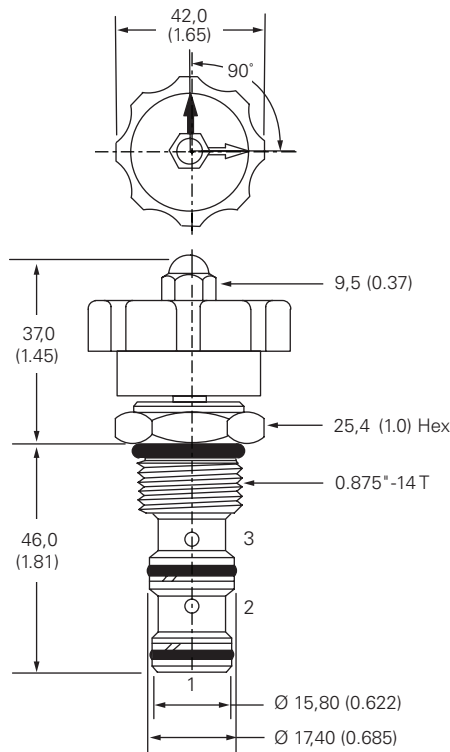
SS - 316 stainless steel external components (only available for "0" and "F" options).

Dimensions

mm (inch)

Torque cartridge in aluminum housing
47-54 Nm (35-40 ft. lbs)

Cartridge Only



Installation Drawing (Aluminum)

