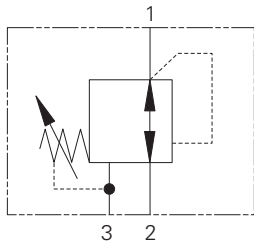


PRV1-10-Pressure Reducing/Relieving Valve

Spool, direct acting

15 L/min (4 USgpm) • 165 bar (2400 psi)



Operation

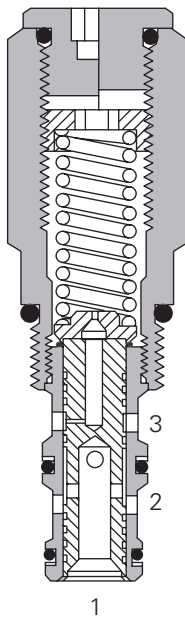
Normally open, the valve throttles or closes to maintain constant pressure in the regulated line.

As in the other direct acting valves, the spring force holds the valve open.

Features

Hardened steel working parts are individually match ground to assure long life, reliability and high accuracy.

Sectional View



E

Performance Data

Ratings and Specifications

Performance data is typical with fluid at 21,8 cSt (105 SUS) and 49° C (120° F)

Typical application pressure (all ports)	165 bar (2400 psi)
Cartridge fatigue pressure (infinite life)	210 bar (3000 psi)
Rated flow	15 L/min (4 USgpm)
Cavity	C-10-3
Standard housing materials	Aluminum
Temperature range	-40° to 120°C (-40° to 248°F)
Fluids	All general purpose hydraulic fluids such as: MIL-H-5606, SAE 10, SAE 20, etc.
Filtration	Cleanliness Code 18/16/13
Weight cartridge only	0,24 kg (0.54 lbs)
Seal kits	565804 Buna-N 889599 Viton®

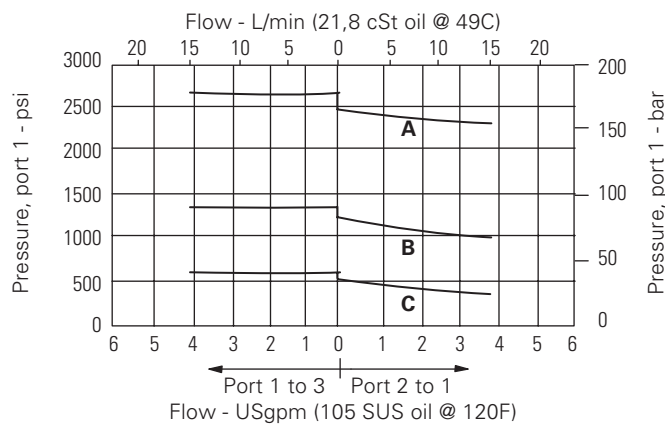
Viton is a registered trademark of E.I. DuPont

Description

This is a direct acting, screw in cartridge pressure reducing valve designed to provide an adjustable regulated pressure which is lower than supply pressure.. Direct acting models are suited to lower flow applications and regulated pressures to 165 bar (2500 psi). This valve also acts as a relief valve, relieving from regulated line to tank if shock or surge pressures occur in the regulated line.

Pressure Override Curves

Cartridge only

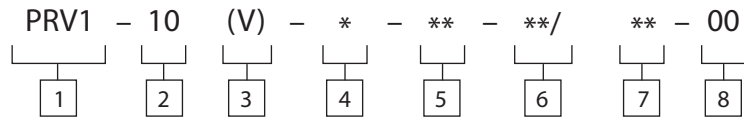


PRV1-10-Pressure Reducing/Relieving Valve

Spool, direct acting

15 L/min (4 USgpm) • 165 bar (2400 psi)

Model Code



1 Function
PRV1 - Pressure reducing/relieving valve

2 Size
10 - 10 size

3 Seal material
Blank - Buna-N
V - Viton®

4 Adjustment
C - Cap
F - Factory set
I - Internal
K - Knob
S - Screw

5 Port Size
0 - Cartridge only

Code	Port Size	Housing Number	
		Aluminum Light duty	Aluminum Fatigue rated
3B	3/8" BSPP	02-173358	-
6T	SAE 6	566162	-
2G	1/4" BSPP	-	876705
3G	3/8" BSPP	-	876714
6H	SAE 6	-	876704
8H	SAE 8	-	876711

See section J for housing details.

6 Pressure range

Note: Code based on pressure in psi.

2 - 3,5-14 bar (50-200 psi)
6 - 7-40 bar (100-600 psi)

12 - 14-85 bar (200-1200 psi)
24 - 30-165 bar (400-2400 psi)

7 Factory Set Reduced Pressure

Within ranges in **6**
Blank - Normal factory setting at approximate mid-range. User requested settings in 3,45 bar (50 psi) steps, Coded as in the following examples:
10 - 70 bar (1000 psi)
10.5 - 72,4 bar (1050 psi)

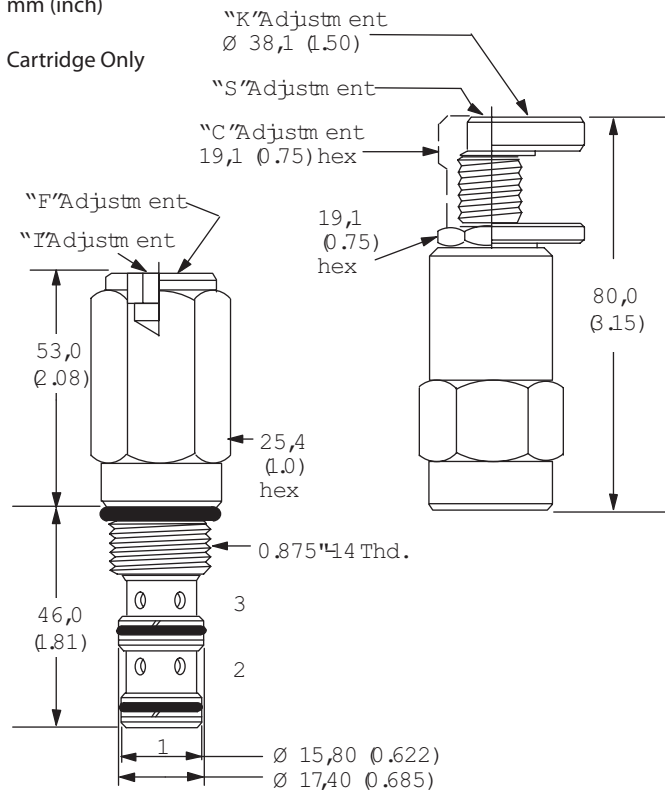
8 Special Features

00 - None
(Only required if valve has special features, omitted if "00.")
SS - 316 Stainless Steel external components

Dimensions

mm (inch)

Cartridge Only



Torque cartridge in aluminum housing 47-54 Nm (35-40 ft. lbs)

Installation Drawing

