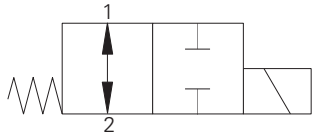


SV4-8-O/OM - Solenoid Valve

Spool type, normally open solenoid valve
 13 L/min (4 USgpm) • 210 bar (3000 psi)

A



Operation

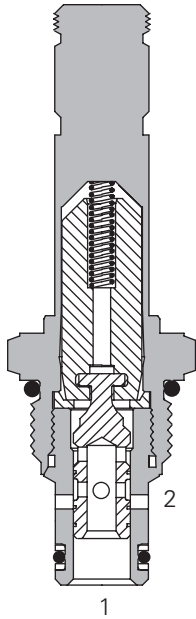
In the de-energized position the valve is open in both directions.

When the solenoid is energized the spool moves causing the valve to close in both directions.

Features

Hardened, ground and honed working parts to limit leakage. IP69 Tough coil compatibility. Continuously rated. Compact design with low pressure drop.

Sectional View



Performance Data

Ratings and Specifications

Performance data is typical with fluid at 21,8 cST (105 SUS) and 49°C (120°F)

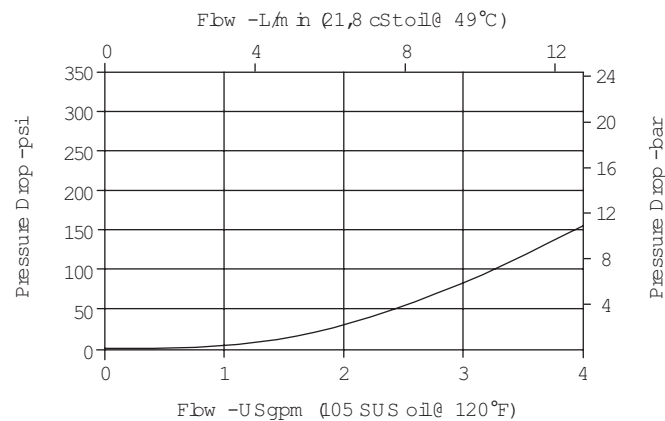
Typical application pressure (all ports)	210 bar (3000 psi)
Cartridge fatigue pressure (infinite life)	210 bar (3000 psi)
Rated flow	13 L/min (4 USgpm)
Internal leakage	82 cm ³ /min (5 in ³ /min) max @ 210 bar (3000 psi)
Temperature range	-40° to 120°C (-40° to 248°F)
Coil duty	Continuous from 85% to 110% of nominal voltage
Response times (100% rated voltage and flow)	Energize: 21 ms De-Energize: 38 ms
Cavity	C-8-2
Fluids	All general purpose hydraulic fluids such as: MIL-H-5606, SAE 10, SAE 20 etc.
Filtration	Cleanliness code 18/16/13
Housing material (standard)	Aluminum
Weight including coil	0,27 kg (0.60 lbs)
Seal kit	02-160777 (Buna-N), 02-160778 (Viton [®])

Viton is a registered trademark of E.I. DuPont

Description

This is a 2-way, 2-position, spool type, direct acting, normally open solenoid valve. This valve is used in applications where the flow needs to be blocked in both directions when the solenoid is energized.

Pressure Drop

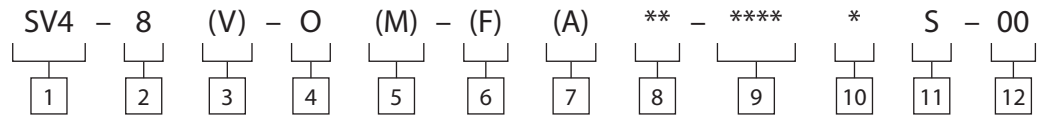


Port 2 to port 1 de-energized
 Port 1 to port 2 de-energized

SV4-8-O/OM - Solenoid Valve

Spool type, normally open solenoid valve
13 L/min (4 USgpm) • 210 bar (3000 psi)

Model Code

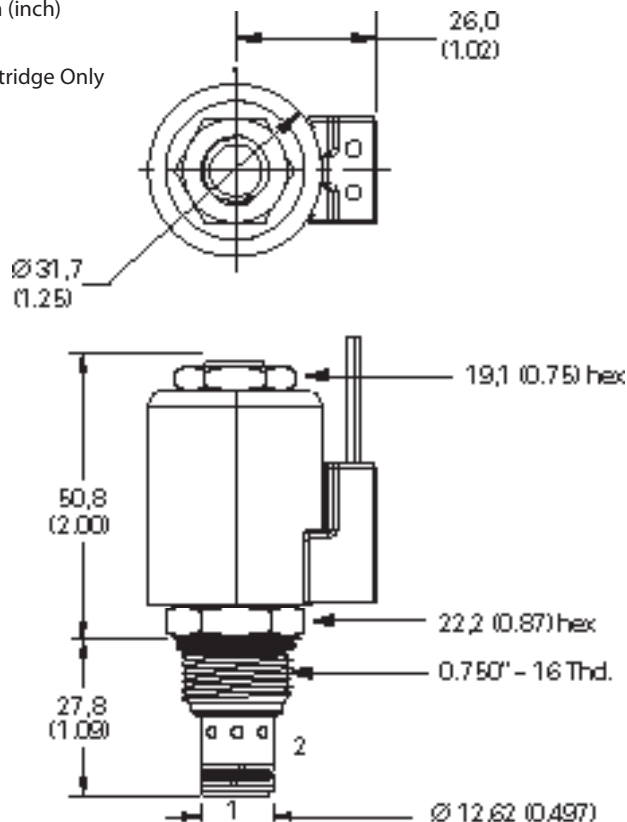


1 Function SV4 - Solenoid valve	6 Filter Option Blank - None F - Filter screen	7 Valve Housing Material Omit for cartridge only A - Aluminum	10 Connector Types Blank - No coil G - ISO 4400 DIN 43650 Q - Spade terminals W - Flying lead N - Deutsch (DC only) Y - Amp JR (DC only) D - Metripack 150 male (DC only) J - Metripack 280 male (DC only)
2 Size 8 - 8 size	8 Port Size Code Port Size Housing Number 0 Cartridge only 2G 1/4" BSPP 02-160727 3G 3/8" BSPP 02-160728 4T SAE 4 02-160730 6T SAE 6 02-160731 8T SAE 8 02-160732 See section J for housing details.		11 Coil Series S - 8 series, 20 W For coil part numbers and dimensions see section C.
3 Seal Material Blank - Buna-N V - Viton*	9 Voltage Rating 00 - No coil 12D - 12VDC 24D - 24VDC 36D - 36VDC	24A - 24VAC 115A - 115VAC 230A - 230VAC 12B - 12VDC/w diode* 24B - 24VDC/w diode* *Optional arc suppression diode.	12 Special Features 00 - None (Only required if valve has special features, omitted if "00")
4 Style O - Normally open	5 Manual Override Option Blank - No manual override M - Knob type For valve dimensions with manual		

Dimensions

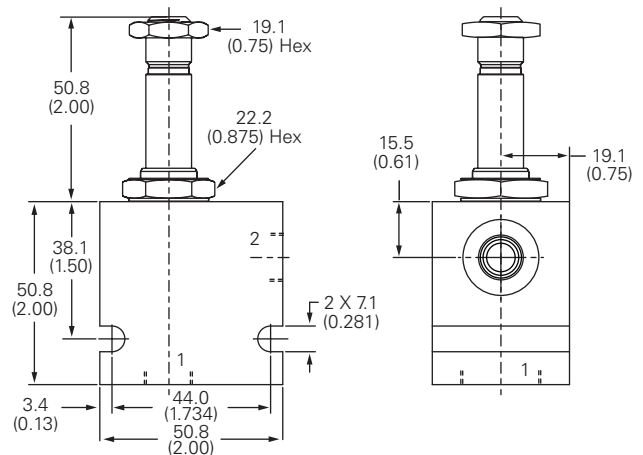
mm (inch)

Cartridge Only



Torque cartridge in steel or aluminum housing 34-41 Nm (25-30 ft lbs)

Installation Drawing



Note: When solenoid valve is ordered as cartridge only, nut is included.



WARNING
Maintain 5-8 Nm (4-6 ft lbs) maximum torque on valve tube nut. Over tightening may cause valve failure.